

Digikröm

CM110/CM112

Monochromator / Spectrograph

1049517

August 2006



Spectral Products

2659-A Pan American Frwy., NE Albuquerque, NM 87107 Tel (505) 343-9700 Fax (505) 343-9705

www.spectralproducts.com

INTRODUCTION.....	3
1.1 Mission Statement	3
1.2 Warranty.....	3
1.3 Copyrights.....	3
1.4 Product Overview.....	3
1.5 Theory of Operation.....	4
GETTING STARTED	5
2.1 Verify Shipping Contents	5
2.2 Hardware Connections	5
2.3 Baud Rate.....	6
2.3 Attaching a Detector	6
OPERATION	7
3.1 Writing Your Own Control Program.....	7
3.2 Hand Held Controller DK1201 (Optional).....	12
3.2.1 Operation	12
3.2.2 Error Screens	18
3.2.3 Queries.....	19
3.2.4 Option Commands	20
3.2.5 Manual Commands	20
APPENDICES	21
A. Wavelength Ranges	21
B. Wavelength Scan/Slew Speeds.....	23
C. Encoding/Decoding Data Bytes	24
D. Status Bytes.....	26
E. Novram Program.....	27
F. Calibration	29
G. Accessories	30
H. Product Conversions.....	31
Changing Slits.....	31
Converting to a Spectrograph	31
Changing the Optical Path	31
Changing Gratings	31
I. Reference Drawings.....	32
Connections – Power / RS232	Error! Bookmark not defined.
Changing the Optical Path	32
Optical Bench Mounting.....	33
CM110 Dimensions	34
Optical Path Design	35
J Reference CM110/CM112 Interface Pin Layout.....	36
K Reference Serial Relay Command	37
L..CM110/112 .Exit and Entrance flange.....	38



Introduction

1.1 Mission Statement

Our mission is to provide our customers with reliable products, on time, and at a fair price. We are continually striving to maintain the highest standards, by assuring defect-free products and by providing prompt and courteous customer service.

The staff at Spectral Products will be happy to answer any questions about our products and our services. For immediate assistance, please contact the Spectral Products Group directly at (505) 296-9541, by fax (505) 998-4746, or by e-mail at sales@spectralproducts.com

1.2 Warranty

This product is warranted to be free of defects in materials and workmanship for one year from date of purchase.

This manual and the software it describes are provided free of charge as a service to the customer. The software is intended to be used as a tool for development and as an example of one possible method of code implementation. It is not intended to be a “user application.”

Any software associated with this product is provided “as is” with no warranty, expressed or implied. While it is Spectral Product’s intent to provide error-free development tools, no guarantee is made regarding either the accuracy or usefulness of this material.

Failures or damages resulting from lack of operator attention to proper procedures, failure to follow operating instructions, unauthorized modifications, and natural disasters are not covered under this warranty.

The Digikröm CM110/112 does not contain any user serviceable parts. **Removing its cover, without explicit written permission from Spectral Products, will void any written or implicit warranty.**

Spectral Products reserves the right, without prior or further notice, to make changes to any of its products described or referred to herein to improve reliability, function, or design.

Spectral Products accepts no liability for incidental or consequential damages arising from the use of this software.

Spectral Products does not recommend the use of its components or software products in life support applications wherein a malfunction or failure of the product may directly threaten life or result in injury.

Spectral Products does not recommend that this product be used on the same power line as other equipment with high current draw requirements.

1.3 Copyrights

Spectral Products maintains the copyright on this material, but grants the customer rights to use or to modify the software described herein without obtaining Spectral Product’s permission and without the requirement to reference Spectral Products as the source of the material.

LabVIEW® is a registered trademark of National Instruments.

Windows™, Microsoft® Visual Basic™ and Microsoft® Quick Basic™ are registered trademarks of Microsoft Corporation.

1.4 Product Overview

The Digikröm CM110/112 is a one-eighth meter, Czerny-Turner type monochromator/spectrograph. Unlike other small devices that provide only one optical orientation, the Digikröm CM110/112 can accommodate both a straight through and a right-angle orientation from the source. Optical path conversion is outlined in [Appendix H: Product Conversions](#).

1.5 Theory of Operation

The optical path of monochromators is designed so that, for monochromatic light, an image of the entrance slit is formed at the exit slit. Scanning the monochromator rotates the grating and moves this image across the exit slit. If one were to measure the intensity of the light exiting the monochromator as this scanning occurs, one would see that a triangular intensity profile results. This is shown in Fig.1 below. Diffraction and other aberrations cause deviations from this ideal situation.

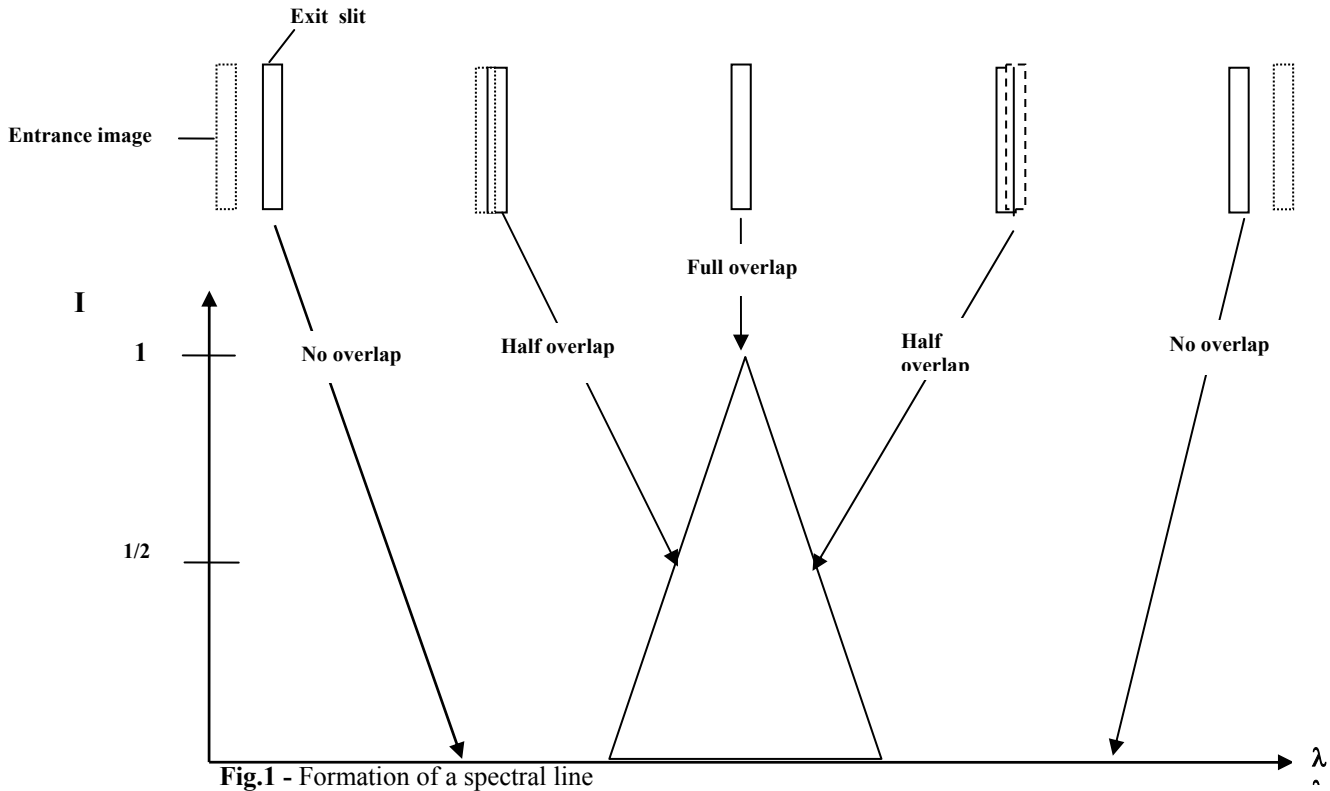


Fig.1 - Formation of a spectral line

Because of the physics of diffraction gratings, entrance slit images are formed at a different angles for different monochromatic wavelengths. Therefore, rotation the grating also selects a changing wavelength region. This is described by the grating equation...

$$n * \lambda = 2 * d * \text{COS}(\varnothing) * \text{SIN}(\varnothing)$$

This equation will be described in detail later.

Imagine a source that sends two monochromatic lines into a monochromator. If the wavelengths are sufficiently different, the two monochromatic slit images will not overlap at the exit slit. However, the finite width of the slits allows the possibility of overlap for some wavelength difference. That is, the slit width limits the ability to resolve two wavelengths.

Wider monochromator slits allow more light to enter into the instrument. Narrower slits allow for better resolution between wavelengths. This is one of the basic trade-offs in the use of monochromators.

The wavelength that is passed by the monochromator, lambda, is described by the grating equation that was presented earlier.

$$n * \lambda \text{ [nm]} = 2 * d * \text{COS}(\varnothing) * \text{SIN}(\varnothing)$$

Getting Started

2.1 Verify Shipping Contents

The following items are shipped with your order of a CM110/112 1/8m monochromator:

Qty	Item
1	CM110/112
1	DKFS100 Slit Set (2 each, - .125mm, .15mm, .3mm, .6mm, 1.2mm and 2.4mm slits)
1	15/5V power supply
1	Power cord
1	Dual power cable
1	RS232 9 pin cable
1	User's manual
1	CDInstallation software. If not included, this can be downloaded from our website at www.spectralproducts.com

2.2 Hardware Connections

The CM110/112 power supply has an output patch cord with two connectors. The connector with the threaded sleeve connects to the CM110/112, while the un-sleeved connector is for the optional DK1201 hand-held controller.

- Attach the power cord to the three-prong outlet on the back of the power pack.
- Attach the connector from the power supply to the single output end of the dual output patch cord.
- Attach the locking power plug located at the other end of the dual power cable to the power jack on the back of the Digikröm CM110/112, labeled POWER. Lock it in place.
- Plug the power cord into your wall or power strip outlet. The CM110/112 will reset and find home position.

The RS232 connection requires a cable with a DB9-M subminiature connector at the monochromator, and a computer communications port connector as appropriate for the user. Spectral Products offers a DK12AT, DK12PS and DK12MA cable for connecting to AT, PS2 and MAC style computers, respectively.

Pin Assignments for the Female DB-9 Connector at Rear of CM110/112 (See Appendix J)

Pin	NAME	FUNCTION
1	DCD	Not used with the CM110/112
2	RxD	Data out (from CM110/112 to computer)
3	TxD	Data in (from computer to CM110/112)
4	DTR	Not used with the CM110/112
5	GND	Signal ground
6	DSR	Not used in CM110/112
7	RTS	Request to send (from computer)
8	CTS	Clear to send (from CM110/112)
9	RNG	Not used in CM110/112

The pin assignments above are mapped one-to-one between the cable connection of a Digikröm CM110/112 and an IBM-AT style serial communications port.

2.3 Baud Rate

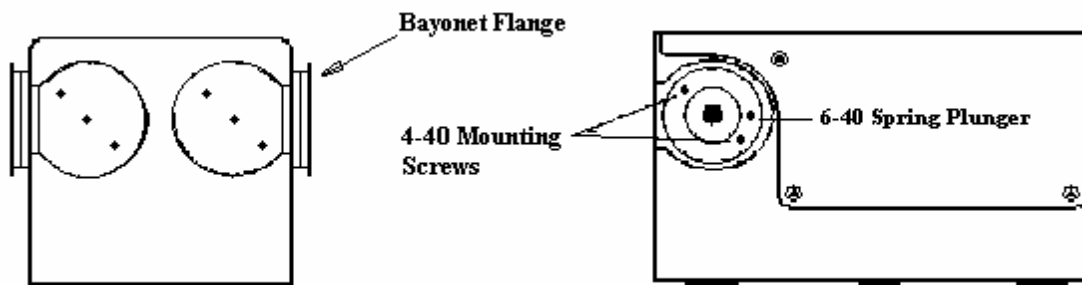
The computer must be set to the Digikröm CM110/112 data type and baud rate

Character length: 8 bits
Baud rate: 9600 bits/sec
Stop bits: 1
Parity: None

The Digikröm CM110/112 is factory configured and the character length, number of stop bits and parity cannot be changed. Its signal levels and format are the same as those that are specified for the RS-232. The CM110/112 emulates data communications equipment (DCE).

2.3 Attaching a Detector

Attach a detector to the monochromator using the bayonet mounting flange ([See Appendix L](#)). In order to maintain a tight optical seal between the monochromator and the detector, it may be useful to allow the detector's mounting flange to protrude slightly into the hole in the slit plate. A rubber or foam gasket between flat surfaces is also frequently used.



2.4 Product Specifications

- **Wavelength Drive:** Anti-backlash worm and wheel with microprocessor control. Bi-directional. Usable in positive or negative grating orders.
- **Beam Path:** Either right angle or straight through(standard configuration) from source
- **Design:** Czerny-Turner, dual-grating turret
- **Focal Length:** 110 mm
- **F/#:** 3.9
- **Gratings:** 30 x 30 mm. See the Standard Grating Table in Appendix B.
- **Wavelength Precision:** >0.2 nm with 1200 g/mm grating
- **Wavelength Accuracy:** ± 0.2 nm with 1200 g/mm grating
- **Slewing Speed:** >100 nm/second with 1200 g/mm grating
- **Maximum Resolution:** 0.2 nm with 1200 g/mm grating
- **Band pass:** 1 nm with .150mm slit and 1200 g/mm grating
- **Standard Slits (mm):** 0.125, 0.15, 0.3, 0.6, 1.2, and 2.4. For other values, consult Spectral Products.
- **Software:** Demo control program with source is included. A LabVIEW[®] Driver is available upon request.
- **Power:** UL listed 110/220 V power pack, meets or exceeds UL1950, CSA 1402C, and IEC 950.
- **Interface:** RS-232 standard
- **Warranty:** One year from delivery date
- CE marked
- **Options:** Hand-held control module for local control, IEEE-488 interface, Interface cables, GPIB to RS232 converter, Gold optics for IR range.

Operation

3.1 Writing Your Own Control Program

The subscript _D indicates the decimal value of the byte is listed.

CALIBRATE

This command allows recalibration of the monochromator positioning scale factor and should ALWAYS be used immediately after using the ZERO command (see page 13). The monochromator should be set to the peak of a known spectral line, then the position of that line is input using the CALIBRATE command.

CAUTION: Use of this command will erase factory settings.

To CM110/112: <18>_D <High Byte> <Low Byte>

CM110/112 Action: If (256 * <High Byte>) + <Low Byte> is a valid position, then the scale factor used in determining position will be recalibrated to make the current position agree with the input position. The gratings return to zero after completion.

From CM110/112: <Status Byte>

From CM110/112: <24>_D

DEC

This command decrements the zero offset value and changes the grating angle by 0.0075 degrees in the clockwise direction. This is generally always followed by the ZERO command. The CM110/112 does not track the change in wavelength incurred by this command. The new offset is not in effect unless the ZERO command is issued.

To CM110/112: <1>_D

From CM110/112: <Status Byte>

CM110/112 Action: Moves one motor step clockwise

From CM110/112: <24>_D

DEC Machine #2 (CM112 only)

This command decrements the zero offset value for machine #2 and changes the grating angle by 0.0075 degrees in the clockwise direction. This is generally always followed by the ZERO command. The CM110/112 does not track the change in wavelength incurred by this command. The new offset is not in effect unless the ZERO command is issued.

To CM110/112: <2>_D

From CM110/112: <Status Byte>

CM110/112 Action: Moves one motor step clockwise

From CM110/112: <24>_D

ECHO

The ECHO command is used to verify communications with the CM110/112.

To CM110/112: <27>_D

From CM110/112: <27>_D

CM110/112 Action: No action.

GOTO

This command moves the monochromator to a selected position. Valid values of position are grating dependent and are described in Appendix C.

To CM110/112: <16>_D <High Byte> <Low Byte>
From CM110/112: <Status Byte>
CM110/112 Action: If valid, move to position (256 * <High Byte>) + <Low Byte> [units].
From CM110/112: <24>_D

For example, the command to instruct the monochromator to **GOTO** the wavelength 250 nm could be sent as the three bytes <16>_D <0>_D <250>_D (if the current units are in nm). Here, <16>_D specifies the **GOTO** command while <0>_D <250>_D specifies the destination of 250 nm.

INC

This command increments the zero offset value and changes the grating angle by 0.0075 degrees in the counter-clockwise direction. This is generally always followed by the ZERO command. The CM110/112 does not track the change in wavelength incurred by this command. The new offset is not in effect unless the ZERO command is issued.

To CM110/112: <7>_D
From CM110/112: <Status Byte>
CM110/112 Action: Moves one motor step counter-clockwise
From CM110/112: <24>_D

INC Machine #2 (CM112 only)

This command increments the zero offset value for Machine #2 and changes the grating angle by 0.0075 degrees in the counter-clockwise direction. This is generally always followed by the ZERO command. The CM110/112 does not track the change in wavelength incurred by this command. The new offset is not in effect unless the ZERO command is issued.

To CM110/112: <8>_D
From CM110/112: <Status Byte>
CM110/112 Action: Moves one motor step counter-clockwise
From CM110/112: <24>_D

ORDER

This command determines if the grating rotates clockwise or counter-clockwise.

To CM110/112: <51>_D <Order Byte>
From CM110/112: <Status Byte>
CM110/112 Action: If valid, moves to the zero order position of the selected grating. Rotation of the grating thereafter will be clockwise if the order byte was 01, and counter-clockwise if the order byte was 254.
From CM110/112: <24>_D

QUERY

This command displays the monochromators status.

To CM110/112: <56>_D <Query Byte>
From CM110/112: <Status Message>

<u><Query Byte></u>	<u>Status Message</u>
<00> _D	<Position High Byte> <Low Byte>
<01> _D	<0> <Type Byte> 0 = Single 1 = Additive dbl(CM112 only) 254 = Subtractive dbl(CM112 only)
<02> _D	<Grooves/mm High Byte> <Low Byte>
<03> _D	<Blaze High Byte> <Low Byte>
<04> _D	<0> <Current Grating No.>
<05> _D	<Speed High Byte> <Low Byte>
<06> _D	<0> <Size Byte>
<13> _D	<0> <Number of gratings>
<14> _D	<0> <Current Units>
<19> _D	<Serial Number High Byte> <Serial Number Low Byte>

CM110/112 Action: No action.
From CM110/112: <Status Byte>
From CM110/112: <24>_D

RESET

This command returns the grating to home position.

To CM110/112: <255>_D <255><255>
CM110/112 Action: Grating will return to home position

SCAN

This command scans the monochromator between a START position and an END position at a rate determined by the Spectral Products EED command. The START may be greater or smaller than the END. Valid values of position are grating and units dependent and are described in Appendix B, page 21.

To CM110/112: <12>_D
<Start High Byte> <Start Low Byte>
<End High Byte> <End Low Byte>

From CM110/112: <Status Byte>

CM110/112 Action: Sets CTS low, and moves below (above) the starting value. Sets CTS high and accelerates to scanning speed. Sets CTS low when the Start is reached. Sets CTS high again as END is passed.

From CM110/112: <24>_D



SELECT

Selects the grating that will be used.

To CM110/112: <26>_D <Grating Byte>

From CM110/112: <Status Byte>

CM110/112 Action: If valid, moves to the zero order position of the selected grating. Valid grating bytes are 1 and 2.

From CM110/112: <24>_D

SIZE

This command determines the change in magnitude and the direction of the monochromators position after a STEP command.

To CM110/112: <55>_D <Size Byte>

From CM110/112: <Status Byte>

CM110/112 Action: No immediate action. If the Size Byte is less than or equal to 127 (i.e., the most significant bit = 0), a subsequent STEP command will increase the position by that number of units. If the Size Byte is greater than 127 (most significant bit = 1), then a subsequent STEP command will decrease the position by that number of units.

From CM110/112: <24>_D

SPEED

Selects the speed at which the monochromator may scan. Valid values of speed are grating dependent and are given in Appendix B, page 20.

To CM110/112: <13>_D <High Byte> <Low Byte>

From CM110/112: <Status byte>

CM110/112 Action: No immediate action. If a valid value is selected, the SCAN command will thereafter cause the monochromator to move at approximately a speed value of $(256 * \text{<High Byte>} + \text{<Low Byte>})$ [Å/sec].

From CM110/112: <24>_D

STEP

Moves the monochromator by a preset amount defined by the SIZE command.

To CM110/112: <54>_D

From CM110/112: <Status byte>

CM110/112 Action: If valid, moves the monochromator so that the position is changed by the value determined by SIZE.

From CM110/112: <24>_D

TYPE*

Induces the CM112 only, to change between additive and subtractive mode. Consult Spectral Products before using this command!!

To CM112: <57>_D
From CM112: <Status byte>
CM112 Action: If <Type> is <01>, then the monochromator will subsequently operate in the additive mode. If <Type> is <254>, then the monochromator will subsequently operate in the subtractive mode. The monochromator will return to the zero order position in both cases.
From CM112: <24>_D

UNITS

This command allows the selection of units used in the **GOTO**, **SCAN**, **SIZE**, and **CALIBRATE** commands.

To CM110/112: <50>_D <Units Byte>
From CM110/112: <Status byte>
CM110/112 Action: If units byte is valid, the CM110/112 will move to the zero order position. The specified units will be used in subsequent commands. Note: Each grating may have a different type of unit specified. Ex; Grating 1 = Å, grating 2 = nm. The valid units bytes are listed below.

<Units Byte>	<Spectral Units>
00	Microns
01	Nanometers
02	Angstroms

From CM110/112: <24>_D

ZERO

This command allows the recalibration of the position of the zero order transmission of the monochromator. Note: on a CM112, this will Zero both gratings at the same time. The monochromator should be set to the peak of the zero order transmission for each grating while wavelength = 0 using INC, then the zero command is entered.

CAUTION: Use of this command will erase factory settings.

To CM110/112: <52>_D <1>_D
CM110/112 Action: The current zero offset values of the gratings are saved as the zero order position.
From CM110/112: <Status Byte>
From CM110/112: <24>_D

*Note: The CM112 has separate digital drives in each cascaded monochromator and can be used in additive or subtractive mode. Additive dispersion provides better resolution. Subtractive dispersion provides better imaging and low temporal dispersion.

In additive dispersion, the two gratings rotate in the same direction. The grating of the first monochromator spreads the spectrum over an angular range. The grating of the second monochromator doubles this dispersion.

In subtractive dispersion, the two gratings rotate in opposite directions. The first monochromator is used to select a band pass. The second monochromator removes temporal and angular aberrations introduced by the first monochromator.

3.2 Hand Held Controller DK1201 (Optional)

The DK1201 Handheld Controller is an optional unit used to control the CM110/112 Monochromator when and if a PC is not available.

3.2.1 Operation

The DK1201 receives power from the CM110/112 power pack. Attach the free end of the dual power cable to the DK1201 extension cable. Attach other end of cable to power jack on back of controller. Once the DK1201 receives power, the control display will read:

Spectral, LLC.
Digikröm CM110/112

Connect the controller RS232 cable to the rear of the CM110/112. Connect the other end of the dual power cable to the power jack on the CM110/112. The CM110/112 will find home position and the control unit display will read:

Gr/mm=xxxxx Order:x
Blaze:xxxxx
Units:xxxxxxxxx
READY... λ =xxxxx

The keyboard consists of 23 keys, 13 control keys, and 10 number keys, including a decimal point. The **STOP** option, **SLIT ADJ** and **FILTER/SOURCE** keys are disabled with the DK1201.

KEY NAME	PURPOSE
---------------------	----------------

BACK LIGHT	Turn on/off back light of the LCD display.
-----------------------	--------------------------------------------

ON/OFF	Turns power on/off of DK1201.
---------------	-------------------------------

GOTO	The user can change the λ wavelength by entering a value for a new wavelength and then pressing enter. This command changes the grating angle, which in turn changes the wavelength at the exit slit.
-------------	---------------------------------------------------------------------------------------------------------------------------------------------------------------------------------------------------------------

OPTIONS	This command offers 5 menu commands to adjust grating angle number, current units, current order, current type, and baud rate. See section 3.2.4, page 19.
----------------	------------------------------------------------------------------------------------------------------------------------------------------------------------

MANUAL	This command allows the user to change the rotation of the grating by one motor step. It also allows <ul style="list-style-type: none">• the user to set a new zero position for either λ equal to zero or a nonzero value.
---------------	--------------------------------------------------------------------------------------------------------------------------------------------------------------------------------------------------------------------------------------------------------------

SCAN	The user can scan the intensity of light leaving the exit slit over a wavelength range defined as $\lambda_2-\lambda_1$. The user can scan different ranges of wavelength by entering the values of λ_1 and λ_2 with this command, then pressing enter. The value of $\lambda_2-\lambda_1$ may be either positive or negative. Valid values of wavelength are both grating and unit dependent. See Appendix A, page 20.
-------------	------------------------------------------------------------------------------------------------------------------------------------------------------------------------------------------------------------------------------------------------------------------------------------------------------------------------------------------------------------------------------------------------------------------------------------------

- SCAN SPEED** This command selects the speed at which the CM110/112 will scan the intensity of light at the exit slit for a given wavelength range. The user should refer to Appendix B, page 21 for a list of scan speeds that are appropriate for various gratings.
- SLIT ADJ** Not applicable
- FILTER** Not applicable
- QUERY** Queries monochromator for specific settings.
- RESET** Resets the grating turret to the home position.
- CANCEL** Press the CANCEL to return to previous menu or use it back cursor.
- ENTER** Press the ENTER key after every command to carry out that action.

Use the **GOTO** command to instruct the CM110/112 to find a discrete wavelength. The values of wavelength are grating dependent. Once the key is pressed, the display reads:

```

ENTER=goto CNCL=quit
CURRENT λ=xxxxx

GOTO λ = _

```

In response to this prompt, the user may enter the desired wavelength value and press **ENTER**. During this part of the operation, the display reads:

```

ENTER=goto CNCL=quit
CURRENT λ=xxxxx

RUNNING...

```

Once the CM110/112 finds the specified wavelength, the **GOTO** operation stops and the **READY** screen appears.

The **SCAN** key allows the user to scan between a start and an end position specified by the user. The **START** position(λ_1) may be greater or smaller than the **END** position(λ_2). Valid values of position are grating and units dependent. The scanning speed for the **SCAN** command is a constant and is determined by the user. Once the **SCAN** key is pressed, the display reads:

```

ENTER=scan CNCL=quit
CURRENT λ=xxxxx

λ1 = _

```

Enter the starting wavelength and press **ENTER**. The display will then read:

```
ENTER=scan CNCL=quit
CURRENT λ=xxxxx
λ2 = _
```

Now, enter **ENTER**. Note: once the scan is started it cannot be stopped unless power is disconnected. After the ending wavelength value is entered, the CM110/112 will go to the **START** position at maximum speed. The CM110/112 will begin scanning, while the display reads:

```
ENTER=scan CNCL=quit
CURRENT λ=xxxxx
SCANNING...
```

When the scan is complete, the DK1201 will display the **READY** screen.

The **SCAN SPEED** key allows the user to control the rate at which the wavelength changes. Values of speed are grating and units dependent and are given in Appendix B, page 21. Once the key is pressed, the display reads:

```
ENTER=new CNCL=quit
CURRENT SCAN SPEED:
*****xxxxx*****
NEW SPEED: _
```

xxxxx= indicates the present scan speed.

Enter the **SCAN SPEED** using the number keys. Pressing **ENTER** will select the new scan speed. If the user does not wish to change the scan speed, pressing the **CANCEL** key will return to the **READY** screen.

The **QUERY** command offers 15 categories to inquire about. These categories are described in section 4.2.3, page 18.

```
QUERY=next CNCL=quit
cccccccccccccccccccccccccccccccccccccccc
xxxxxxxxxxxxxxxxxxxxxxxxxxxxxxxxxxxxxxxx
```

Note: cccccccc = the query subject and xxxxxxxx = the response from the monochromator. Pressing **QUERY** again will cycle through the query options. Pressing the **CANCEL** key will return to the **READY** screen.

The **OPTIONS** command offers 5 functions described in section 3.2.4, page 19. Cycle through these options by pressing the **OPTIONS** key. Each option is selected by pressing **ENTER**. Once selected, each option has submenus that will prompt the user for information. Press **ENTER** to accept the changes. Pressing the **CANCEL** will exit the **OPTIONS** mode and return to the **READY** screen.

OPT'N=next CNCL=quit
ENTER= ccccc

vvvvv

Section 3.2.5, page 19 describes the functions available under **MANUAL**. Note: once the **MANUAL** key is pressed, and you want to exit the program without entering a change, you must use **CANCEL** or power off the controller. The power off method will not move the mono and retain previous settings. Pressing the **MANUAL** key will display the following screen:

MANUAL =nxt CNCL=quit
ENTER=select
Calibrate Wavelength
STEP

Press the **MANUAL** key again will display:

MANUAL =nxt CNCL=quit
ENTER=select
Change zero offset
INC/DEC

Use the **MANUAL** key to cycle between menus. Press **ENTER** to select.

In response to **ENTER** under the "Calibrate Wavelength" menu, the display will read:

- select CNCL=quit
STEP SIZE:xxxxx
λ=xxxxx 5=size
3=step+ 9=step-



CHANGING STEP SIZE

To change the step size, press “5” and **ENTER**. The DK1201 will display the following message:



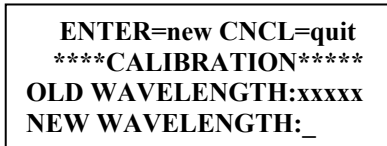
Valid values for step size are 1-127. Press **ENTER** to accept new step size or **CANCEL** to go back to submenu.

Current λ is displayed.

Pressing “9” decreases λ by one established step size.

Pressing “3” increases λ by one established step size.

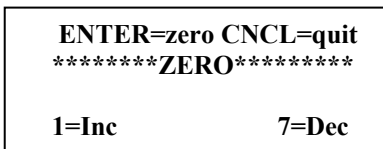
Pressing the **ENTER** key will display the following message:



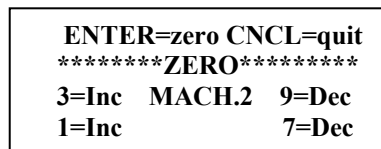
Pressing the **ENTER** will accept the value and pressing **CANCEL** will exit without changing old value.

In response to **ENTER** under the “Change zero offset” menu, the display will read:

CM110



CM112



CHANGING THE OFFSET

Note: this command will erase the values previously programmed into your NOVRAM’s memory.

To change the offset value, use the appropriate keys:

CM110

- 1 moves the grating one step below zero (ccw)
- 7 moves the grating one step above zero (cw)

CM112

- 1 & 7 moves grating 1, one step above/below zero
- 2 & 9 moves grating 2, one step above/below zero



Spectral Products

2659-A Pan American Frwy., NE Albuquerque, NM 87107 Tel (505) 343-9700 Fax (505) 343-9705

www.spectralproducts.com

Pressing **ENTER** displays:

CM110

ENTER=zero CNCL=quit
*******ZERO*******
Accept new zero?

CM112

ENTER=zero CNCL=quit
*******ZERO*******
3=Inc MACH.2 9=Dec
Accept new zero?

Pressing **ENTER** accepts new zero offset. **CANCEL** to exit menu without saving the changes.



3.2.2 Error Screens

VALUE INVALID

Whenever a value is entered that is out of range of the machine or the grating or the units are incorrect, the following screen appears:

**VALUE INVALID
HIT ANY KEY TO CONT**

Pressing any key will return the program to the READY screen.

COMPLETION ERROR

When there is a failure to complete a task, a value of 24 occurs, the following message appears:

**<24> WAS NOT RECEIVED
HIT ANY KEY TO CONT.**

The CM110/112 must be turned off and then back on to recover from this error

INVALID KEY

Whenever an invalid key is pressed the following message appears:

**Invalid key.....
HIT ANY KEY TO CONT.**



3.2.3 Queries

QUERY	PURPOSE
CURRENT WAVELENGTH	Displays the current wavelength.
CURRENT TYPE	Displays if the monochromator is in single, subtractive(CM112 only), or additive mode (CM112 only).
CURRENT GROOVES/MM	Displays the groove of the current grating.
CURRENT BLAZE	Display the blaze of the current grating.
CURRENT GRATING	Displays which grating is currently in the optical path.
SCAN SPEED	Displays the current scan speed.
CURRENT STEP SIZE	Displays the size of each motor step.
# OF GRATINGS	Displays the number of gratings in the unit.
CURRENT UNITS	Displays the current unit setting: microns, nanometers, or angstroms.
Serial number	Display the serial number of the unit.
Zero Offset M1G1	Displays the number of motor steps, using motor 1, required for grating 1 to move to the "home" position to the zero order position.
Zero Offset M1G2	Displays the number of motor steps, using motor 1, required for grating 2 to move to the "home" position to the zero order position.
Zero Offset M2G1	Displays the number of motor steps, using motor 2, required for grating 1 to move to the "home" position to the zero order position (CM112 only).
Zero Offset M2G2	Displays the number of motor steps, using motor 2, required for grating 2 to move to the "home" position to the zero order position (CM112 only).
Cal Offset M1G1	Displays the number of motor steps required to move grating #1 from zero order to a specified "calibration" wavelength.
Cal Offset M1G2	Displays the number of motor steps required to move grating #2 from zero order to a specified "calibration" wavelength..

3.2.4 Option Commands

OPTION_COMMAND	PURPOSE
GRATING	The CM 110 has two gratings. This command alternates the use of gratings 1 and 2.
UNITS	This command changes the current units to microns, nanometers, and angstroms.
ORDER	This command changes the grating order by changing the direction that the grating rotates (clockwise, +, or counter clockwise, -).
TYPE	Not applicable. This option is installed for the CM112 only.
BAUDRATE	Not applicable. This option is not installed for changes.

3.2.5 Manual Commands

MANUAL COMMAND	PURPOSE
MANUAL=nxt CNCL=quit ENTER=select Calibrate Wavelength STEP	Allows the user to calibrate to a nonzero wavelength. This command moves the motor one step CCW, when pressing STEP+, and one step CW when pressing STEP-.
MANUAL=nxt CNCL=quit ENTER=select Change zero offset INC/DEC	This command allows the user to recalibrate to a zero wavelength or a nonzero wavelength.

Appendices

A. Wavelength Ranges

The CM110/112 is restricted to angles between 0 and 70 degrees. The upper restriction is imposed because the grating is almost edge-on to the incident beam beyond this angle.

From these restrictions, one may use the grating equations to calculate the valid ranges and step sizes for any particular grating. The table below lists the maximum wavelength for each grating set in the CM110/112's software.

**UPPER WAVELENGTH SCAN LIMIT AND MAXIMUM WAVELENGTH
INCREMENTS PER ANGULAR STEP FOR DIFFERENT GRATINGS
(Lower wavelength scan limit is zero)**

Grating	Upper limit
Grv/mm	nm
3600	500
2400	750
1800	1000
1200	1500
600	3000
300	6000
150	12000
75	24000

Diffraction Limit to Resolution

The grating used in a CM110/112 is a reflective surface with a series of vertical parallel grooves. Collimated light is directed toward the grating, which in turn diffracts the light into component wavelengths. A slight rotation of the grating causes a change in wavelength transmission. For a fully illuminated grating, the resolution of a grating, or ability to distinguish between two wavelengths, is given by the following equation:

$$\Delta\lambda = \frac{\lambda}{N} \quad \text{or} \quad \Delta\lambda = \frac{\lambda}{Wd}$$

Example: with 1200 gr/mm, 30mm wide @ 600nm
 $\Delta\lambda = 600/(1200 * 30) = .017\text{nm}$ if grating is full

m = order

N = total number of grooves illuminated

λ = wavelength at slit

d = is groove density in gr/mm

W = grating width(mm)

Grating Equation

$$\lambda = \frac{\left(2 \cos \frac{\phi}{2}\right) \sin \theta}{mG}$$

Where

G – is groove density in gr/mm

ϕ – is the full Ebert angle. This is a fixed angle determined by the position of the grating, the collimating mirror, and the focusing mirror. It is approximately 25.4° for the CM110/112.

θ – is the angle that the grating rotates measured from the point at which white light is specularly reflected through the instrument. 70° is the maximum grating angle for the CM110/112. The CM110/112 grating drive provides a minimum $\Delta\theta$ of $.0075^\circ$

m – is the order of diffraction. For light incident normal to the grating, some of the light will be reflected, diffracted to the right (+1 order), and diffracted to the left (-1 order). Diffraction at greater angles also occurs, but it is not significant (orders $\pm 2, \pm 3, \dots$).

B. Wavelength Scan/Slew Speeds

Valid scan speeds required by the **SPEED** command are listed below:

TABLE E-1
Allowed Scan Speed Specifiers [Å/sec]

Grating [grv/mm]										
n =	0	1	2	3	4	5	6	7	8	9
3600	333	166	83	41	20	10	5	2	1	0
2400	500	250	125	62	31	15	7	3	1	0
1800	666	332	166	82	40	20	10	4	2	0
1200	1000	500	250	125	62	31	15	7	3	1
600	2000	1000	500	250	124	62	30	14	6	2
300	4000	2000	1000	500	248	124	60	28	12	4
150	8000	4000	2000	1000	496	248	120	56	24	8
75	16000	8000	4000	2000	992	496	240	112	48	16

The actual scan speed of the monochromator is determined by the formula:

$$\text{Actual Speed} = \text{Maximum Speed} / 2^n$$

Examples:

User defines scan speed as 1000 Å/sec w/1220 g/mm grating

$$\text{Actual speed} = 1000 / 2^0 = 1000 \text{ Å/sec}$$

User defines scan speed as 62 Å/sec w/600 g/mm grating

$$\text{Actual speed} = 2000 / 2^5 = 62.5 \text{ Å/sec}$$

C. Encoding/Decoding Data Bytes

Many computer-based commands (RS-232) both send and receive information in the form of multi-byte specifiers. For a number given in decimal form, such as base 10, to be sent to the monochromator, the number must first be broken down into hexadecimal bytes (8 bits). Then, each byte is converted into a decimal value. This decimal value is transmitted as a ASCII character to the communication device. Then, the monochromator translates the characters into the form necessary to perform the operation. Conversely, the monochromator sends the data back in decimal characters. Each is a byte long, and the computer application must convert these separate bytes back to a useful decimal value.

ENCODING DATA BYTES

The desired command is **GOTO** 100 nm.
The **GOTO** command in RS-232 is specified as:

<16><HIBYTE><LOWBYTE>

where the units for the two byte specifier are determined by the current **UNITS** selected. For this example, the units are in Angstroms.

Step 1: Convert the desired specifier to proper units.
100 nm = 1000 Angstroms

NOTE: The following steps will be shown two ways: **(A)** with conversions performed by a unspecified algorithm, for example, using a calculator with decimal-hex conversion capability, and **(B)** using a numeric algorithm that is more suitable for computers.

Method A:

Step 2: Convert to Hexadecimal
1000(base 10) = 3E8(base 16)

Step 3: Break the hex value into two bytes
3E8(base 16) => 03 | E8
Hi Lo

Step 4: Convert each byte to its decimal equivalent
Hi byte: 03(base 16) => 03(base 10)
Low byte: E8(base 16) => 232(base 10)

Step 5: Send the command. The specifiers are 3 and 232.

Method B:

Note: All the following numbers are given in decimals.

Step 2: Divide by 256 and round down to the nearest whole number.
EX: 1000 / 256 = 3.90625 rounds to 3 = Hi byte

Step 3: Adjust the remainder. The remainder is the Lowbyte.
EX: 1000 - (256 x Hi byte) = 1000 - (256 x 3) = 232
Remainder = 232 = Lowbyte

Step 4: Send the command. The specifiers are 3 and 232.

DECODING DATA BYTES

The desired command is **QUERY POSITION**.

The **QUERY POSITION** command returns two bytes indicating the current wavelength, in the form

<HIBYTE><LOWBYTE>

To be useful to the user, the two bytes must be converted back to a single decimal number. As before, we can do this by either method A or method B, by essentially reversing the above procedures.

For this example, the **QUERY POSITION** command returns the ordered pair (5, 106), Hibble, Lowbyte respectively, as the current wavelength. For this example, the units are in Angstroms.

Method A:

Step 1: Convert each byte to its hex equivalent
Hibble: 05(base 10) = 5(base 16)
Lowbyte: 106(base 10) = 6A(base 16)

Step 2: Concatenate the 2 bytes to form one hex number
05 | 6A = 056A(base 16)

Step 3: Convert the hex number to a decimal
056A(base 16) = 1386(base 10) Å = 138.6 nm.

Method B:

Note: All of the following numbers are in decimals.

Step 1: Use the formula:
Wavelength (λ) = (Hibble x 256) + Lowbyte
(05 x 256) + 106 = 1386 Angstroms

D. Status Bytes

Whenever the CM110/112 is given a command, it will respond with a status byte that indicates whether or not the command was accepted. Each bit in the status byte has a meaning, which is given below. When a command is not accepted, some of the bits of the status byte will indicate the reason. In general, if <Status Byte>D is smaller than 128, then the command was accepted.

- Bit 7: 0 if the command is accepted.
1 if the command is not accepted.
- Bit 6: 0 if the command requires action
1 if the command requires no action (specifier value equals present value)
- Bit 5: 0 if the specifier was too large
1 if the specifier was too small (Irrelevant if Bit 7 is 0.)
- Bit 4: 0 if scan is positive going
1 if scan is negative going (Irrelevant if Bit 7 is 0.)
- Bit 3: 0 if positive orders
1 if negative orders
- Bit 2,1,0: Binary value is:
000 if units are microns
001 if units are nanometers
010 if units are angstroms

The **SCAN** command uses two specifiers. Bits 6 and 5 take slightly different meanings.

- Bit 6: 1 if Lambda 1 is not acceptable
0 if Lambda 1 is acceptable
- Bit 5: 1 if Lambda 2 is not acceptable
0 if Lambda 2 is acceptable

E. Novram Program

These commands are **Read from Novram** and **Write to Novram**. There are 128 memory locations in the Novram, and their addresses are from 0 to 127. Table on page 27 gives the address and the meaning in the Novram memory.

READ FROM NOVAM

These commands read a byte from the monochromators non-volatile memory.

To CM110/112: <156>_D<Address Byte>
From CM110/112: <Data Byte>
From CM110/112: <Status byte>
CM110/112 Action: No action.
From CM110/112: <24>_D

Data Byte contains a returned value, and *Address Byte* is 0 through 127.

WRITE TO NOVAM

These commands write a byte to the monochromators non-volatile memory.

WARNING !!!
Improper use of this command may corrupt the configuration and calibration information of the monochromator. Consult Spectral Products if you need to restore factory settings.

To CM110/112: <159>_D< Address Byte >
<Data Byte><Checksum Byte>
From CM110/112: <Status byte>
CM110/112 Action: If valid, *Data Byte* is saved into non-volatile memory at *Address Byte*.
From CM110/112: <24>_D

Valid choices for *Address Byte* are integer values between 0 and 127, and valid values for *Data Byte* are integer values between 0 and 255. The *Checksum Byte* = *Address Byte* + *Data Byte*. The checksum will be truncated to 1 byte long if its value is bigger than 255.

NOVRAM ADDRESS

Address	The meaning of the content
0	The baudrate index: 0 is 9600 b/s
1	Current selected grating: 1 or 2.
2	Zero offset high byte of machine 1, grating 1.
3	Low byte of the above number.
4	Zero offset high byte of machine 1, grating 2.
5	Low byte of the above number.
6	Calibration high byte of machine 1, grating 1
7	Low byte of the above number
8	Calibration high byte of machine 1, grating 2
9	Low byte of the above number
10	Groove index of grating 1; 0: = 3600 g/mm; 1: = 2400; 2: = 1800; 3:= 1200; 4: = 600; 5: = 300; 6: = 150; 7: = 75.
11	Groove index of grating 2. The meaning is the same as grating 1.
12	Blazed high byte of grating 1 in nm.
13	Low byte of the above number.
14	Blazed high byte of grating 2 in nm.
15	Low byte of the above number.
16	Total gratings of machine 1.
17	Total gratings of machine 2. (CM112 only)
18	Zero offset high byte of machine 2, grating 1. (CM112 only)
19	Low byte of the above number. (CM112 only)
20	Zero offset high byte of machine 2, grating 2. (CM112 only)
21	Low byte of the above number. (CM112 only)
22	Order and Type. Bit 0 (for m1g1): 1 is - order, 0 is + order; Bit 1 (for m1g2): 1 is - order, 0 is + order; Bit 4 (for grating 1): 1 is subtractive dispersion, 0 is additive dispersion; Bit 5 (for grating 2): 1 is subtractive dispersion, 0 is additive dispersion. (Bits 4,5 CM112 only)
23	Not used
24	Current machine 1 unit – 0=centimicrons, 1=nm, 2=angstroms
25	Current machine 2 unit – 0=centimicrons, 1=nm, 2=angstroms (CM112 only)
26	Serial number high byte
27	Serial number low byte
28	Not used
29	Not used
30	Not used
31	Not used
32	AA in hex if programmed
33	AA in hex if programmed
34 - 127	Not used

F. Calibration

The CM110/112 monochromator uses a two-point calibration method, that is, the zero-order point and one wavelength. The zero-order point can be determined using virtually any light source, broadband or monochromatic, diffuse or coherent, since the grating is acting essentially as a mirror at this point. Using a 125 μm slit, the grating position is adjusted to produce the maximum throughput. The “zero” command then stores this location into non-volatile RAM; the number stored is the number of motor steps from the device’s physical home position (determined by location sensors on the grating turret and motor shaft) to the optimized optical zero-order point.

The second point can be calibrated at almost any arbitrary wavelength, usually chosen, for convenience, to be somewhere in the middle of the particular grating’s spectral response. The monochromator compares its actual physical location with the “ideal” location for that wavelength (in terms of motor steps from zero) to produce the calibration number. This calibration number is not a count of motor steps or physical location but a scaling factor used as a multiplier throughout the range of grating motion. Therefore the monochromator takes the ideal number of motor steps (if the unit were optically and geometrically perfect) and scales it by the calibration factor. Each grating in a multiple-grating machine has its own zero and calibration numbers, compensating for mechanical or optical variations as the gratings are changed. The following are tools and procedures that can be used to calibrate the CM110/112 monochromators.

CALIBRATING ZERO WITH A HANDHELD CONTROLLER

Calibrating CM110 zero will erase the value previously programmed into your NOVRAM’s memory. Consult Spectral Products before proceeding with CM112. CM112 Zero is factory set.

1. Using a white light source, illuminate the entrance slit. Make sure the light source is aligned perpendicular to the entrance slit.
2. Install your smallest slits, preferably .125 mm, at both the entrance and exit.
3. Look through the exit slit. You should see the illuminated white light source.
4. If necessary, you may have to reset the Zero location using the MANUAL command.
5. Using GOTO, Set $\lambda=0$
6. Press Enter.
7. Press MANUAL. Press 4 for Inc/Dec.
8. To move the motor one step **counterclockwise** press “1”, one step **clockwise** press “7”. Press either “1” or “7” until you see the white light source at its brightest intensity.
9. You will be asked if you want to accept the new value for zero. You can accept or reject the changes.
10. Press MANUAL to exit.

CALIBRATING AT A WAVELENGTH WITH A HANDHELD CONTROLLER

Recalibration will erase the values previously programmed in your NOVRAM’s memory.

1. Using a discrete light source, such as a HeNe laser or a Hg pen lamp, illuminate the entrance slit. Make sure the light source is aligned perpendicular to the entrance slit.
2. Install your smallest slits, preferably .125 mm, at both the entrance and exit.
3. Use an appropriate detector for determining maximum intensity.
4. Using GOTO, set $\lambda =$ (to the new wavelength). Press Enter.
5. If the new wavelength is not correct, enter into MANUAL mode, press 6 (step).
6. At this point, you have three options: 3=STEP-, 5=SIZE, and 9=STEP+. “3” and “9” move the motor one unit wavelength in each direction. Toggle between 3 and 9, until the light source is at its maximum intensity.
7. Press MANUAL to exit.
8. Press OPTIONS until CALIBRATION appears. Press ENTER.
9. Enter the spectral wavelength, in the appropriate units, press ENTER to calibrate the machine.

G. Accessories

Complete listing of additional accessories and pricing is available from Spectral Products Instruments Group.

Light Sources and Calibration Lamps available through Spectral Products

Part #	Description
ASB-XE-175EX	Xenon fiber optic “extended” light source, with optional type S liquid light guide, 175 W in a combination power supply/lamp housing assembly. Range: 200-1100 nm.
ASB –XE-175	Xenon fiber optic “ozone blocking” light source with optional type V liquid light guide, 175 W in a combination power supply and lamp housing assembly. Range: 320-700 nm.
ASB-W-030	Visible source assembly. A 30 W tungsten-halogen lamp in housing with focusing optics. A separate constant current power supply is provided for filament temperature control. Fiber coupling is available. Range: 300-2500 nm.
ASB-D-030	UV-Deuterium source assembly. A 30 W deuterium lamp in its own housing for coupling with Digikröm monochromators. Fiber coupling is available. Range 180-400 nm.
ASC-AC	Spectral calibration assembly, lamp housing and power supply for the following spectral calibration lamps.
ASC-HG	Hg spectral calibration lamp. Range: 180-1020 nm
ASC-NE	Ne spectral calibration lamp. Range: 800-3500 nm
ASC-XE	Xe spectral calibration lamp. Range: 800-3500 nm
ASC-AR	Ar spectral calibration lamp. Range: 700-1000 nm
ASC-KR	Kr spectral calibration lamp. Range: 400-2200 nm
AD110B	Photobyte-P Photomultiplier Amplifier System The AD110 is a computer controlled photomultiplier amplifier, which allows current measurements while interfaced with a side-on PMT. Signals from the detector are sent via RS232, which communicates with the LabVIEW® software package. Interface cabling is provided and connections are explained in the AD110B user’s manual.
AD131	Photo detector Module The AD130 is a Photobyte S detector module. It was designed to operate with any of Spectral Product’s monochromators. The AD131 module does not have the sensitivity of a photomultiplier tube, and is not appropriate for some applications. Spectral Products offers a TE cooled PBS/PBSE photodiodes to extend the useable range of the AD131 module. However, due to high dark currents, this option is considerably less sensitive than alternative detection systems. Interface cabling is provided and connections are explained in the AD131 user’s manual. Windows™ and runs on Windows™ 3.1. Interface cabling is provided and connections are explained in the AD131 user’s manual.
AF Series	– A full line of fiber optic couplers, adapters, and cable assemblies that allow even greater portability of the CM110/112.

Note: The CM110/112 entrance and exit flanges mate with all of the accessories listed above. ([See Entrance and Exit Flange](#))

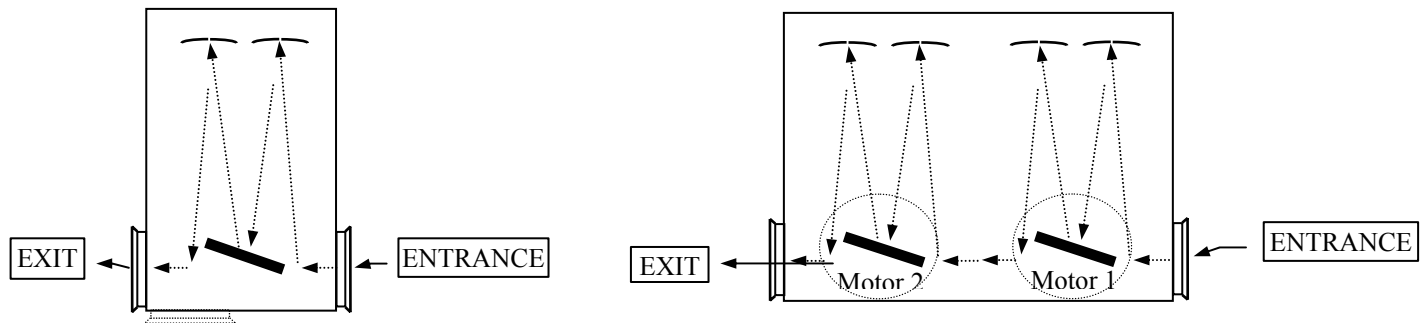
H. Product Conversions

Changing Slits

To change the entrance slit, pull the slit out from the slit mount. When sliding the slit in, you should feel the slit snap in place by the force of the ball spring plunger in the slit flange. Check and make sure that the slit is centered within the slit flange aperture.

Converting to a Spectrograph

The CM110/112 can be used in spectrograph mode when using a CCD camera. This unit has significant design differences, such as a different focusing mirror and exit port adapter (see below). Call Spectral Products for a quote on converting your CM110/112 to a CMSpectral Products110/112 or vice versa.



Optical Configuration of the CM110/112

Changing the Optical Path

Optical configuration may be changed to allow for either a right angle or a straight-through optical path. The Digikröm CM110/112 is factory assembled with a removable folding mirror in place, unless otherwise requested by the customer. Therefore, the instrument is usually configured for a straight-through optical path.

NOTE: only one of the two folding mirrors in the CM110/112 is removable. Before you attempt to remove the mirror, refer to page 28, and follow directions below:

The conversion of the monochromator from the straight-through optical configuration to the right angle optical configuration is a six-step process.

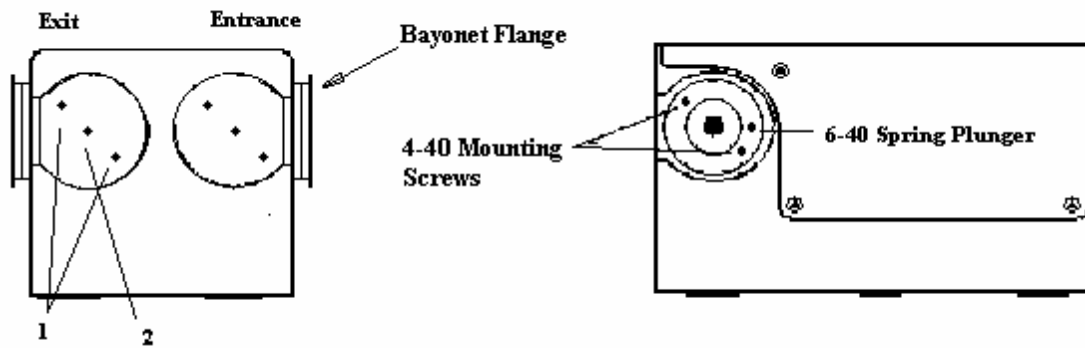
1. The folding mirror assembly is held in place by two 4-40 screws (items #1) located at the exit flange side. Remove the two screws, and gently pull the folding mirror mount assembly out of the CM110/112 housing.
2. To remove the folding mirror from its mount, remove the center 4-40 screw (item #2) that holds the mirror in place. Gently pull the mirror off of the mount. **Be careful** not to touch the mirror's surface because it can be easily scratched or damaged.
3. Reinsert the middle screw into the mirror mount assembly and attach with a 4-40 nut. This is necessary in order to keep stray light to a minimum.
4. Move the exit flange from the side position to the position where you removed the folding mirror.
5. Install the mirror mount (which you disassembled in step 2) into the opening where you removed the exit flange.
6. The monochromator should be re-zeroed. *NOTE: do not proceed with this step until you understand Calibrating Zero with a Handheld Controller and Calibrating at a Wavelength on pages 24 and 25.*

Changing Gratings

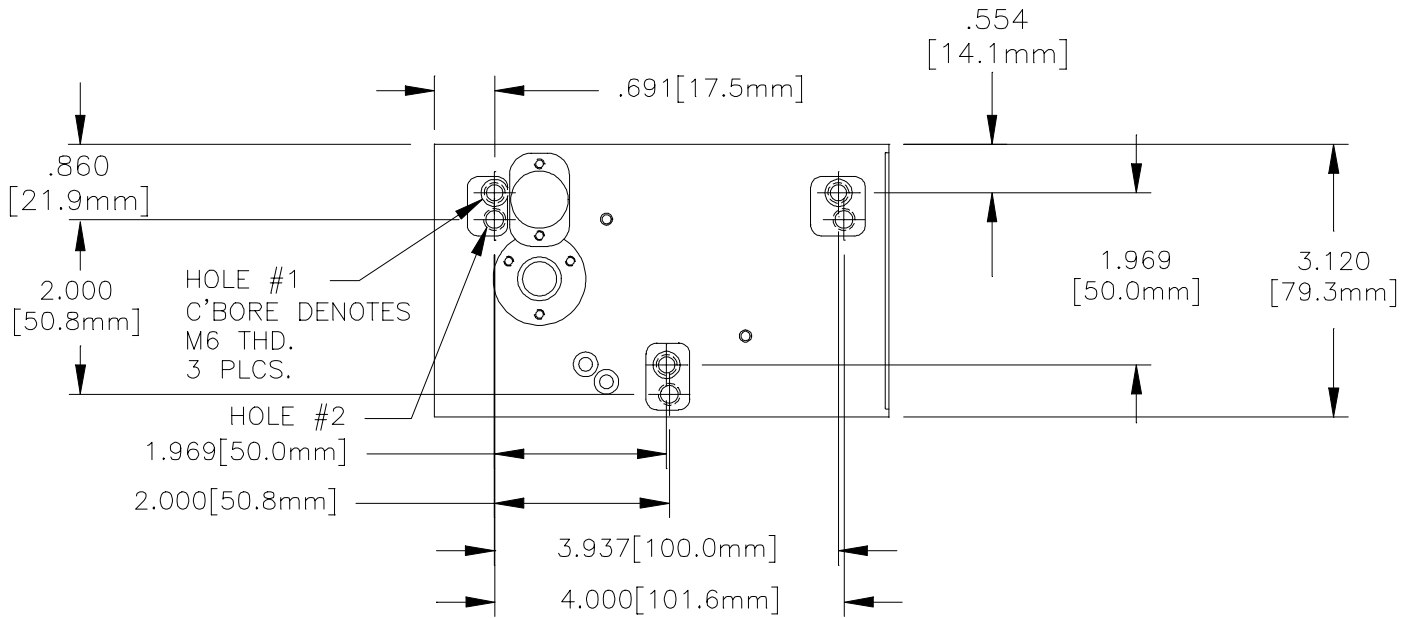
To change gratings, please contact the Spectral Products Group at Spectral Products at (505) 296-9541.

I. Reference Drawings

Changing the Optical Path



Optical Bench Mounting



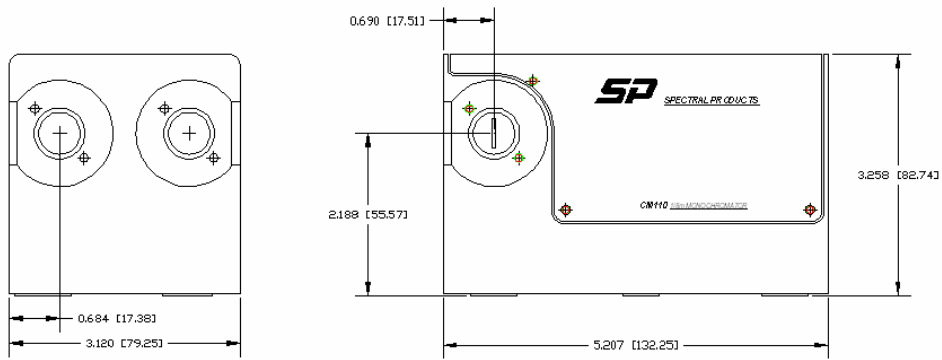
Digikröm CM110-Bottom View

Description

- 1 M6 threads (3) used for attaching the instrument to a optical bench.
- 2 ¼ - 20 threads (3) used for attaching the instrument to a optical bench.

Threaded holes are occupied with set screws to prevent light leaks.
If set screws are removed for mounting, retain for future use.

CM110 Dimensions



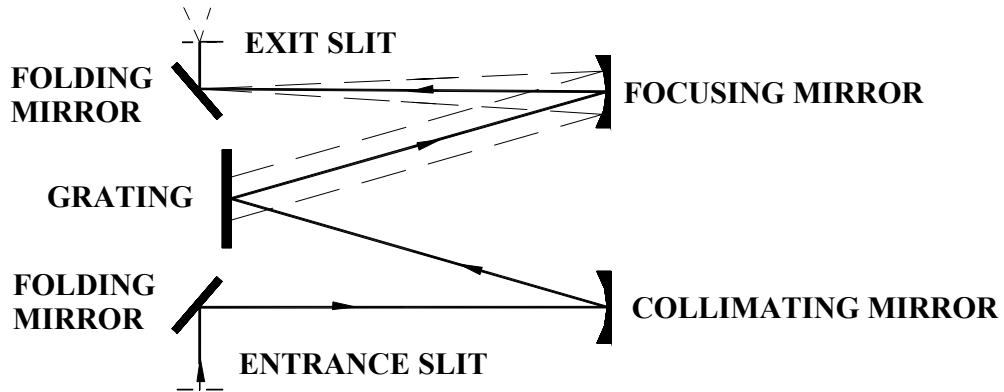


Figure 1
Schematic of the "Straight-through" Optical Configuration for the Digikröm CM110

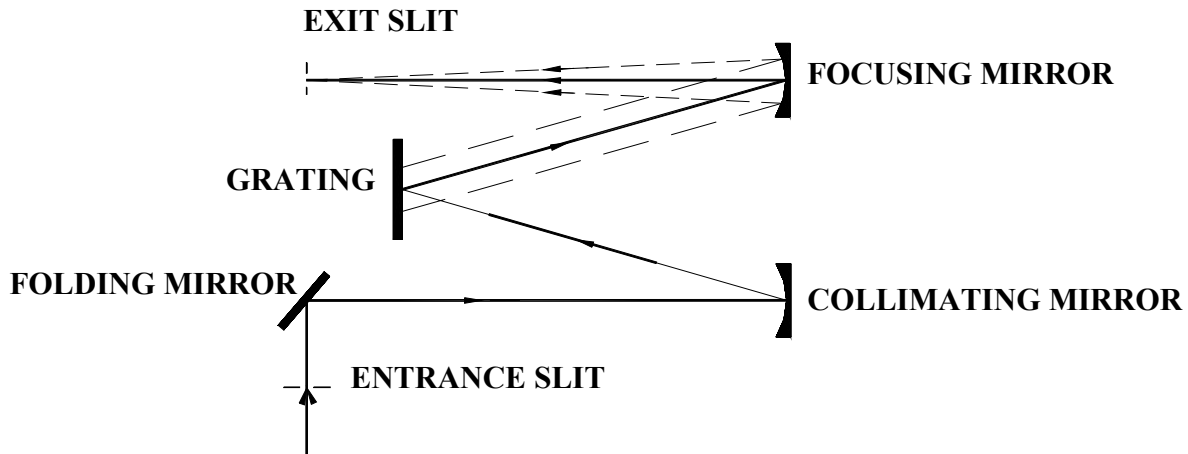


Figure 2
Schematic of the "Right Angle" Optical Configuration for the Digikröm CM110

J Reference CM110/CM112 Interface Pin Layout

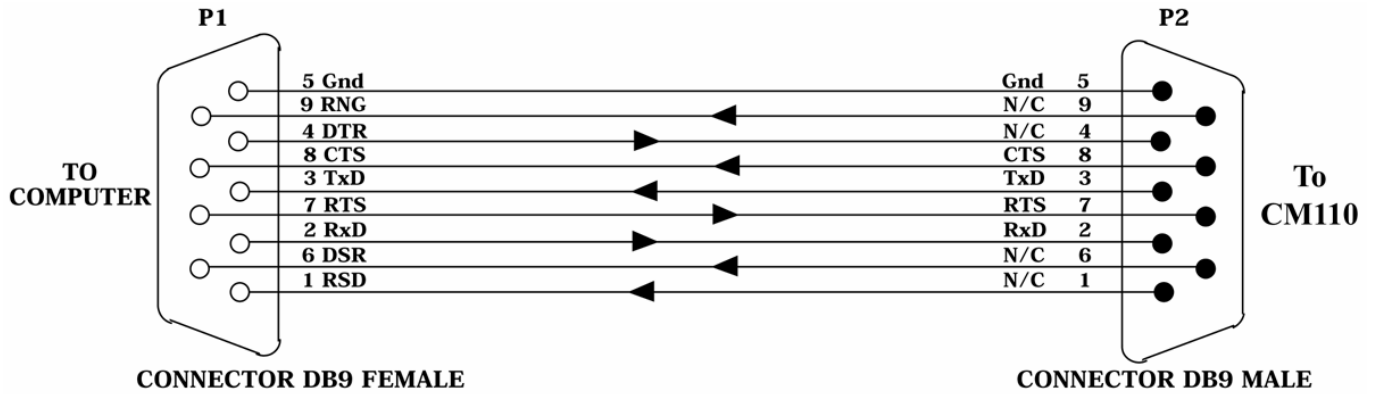


Fig. I-1 CM110 to AT 9 Pin Serial Port

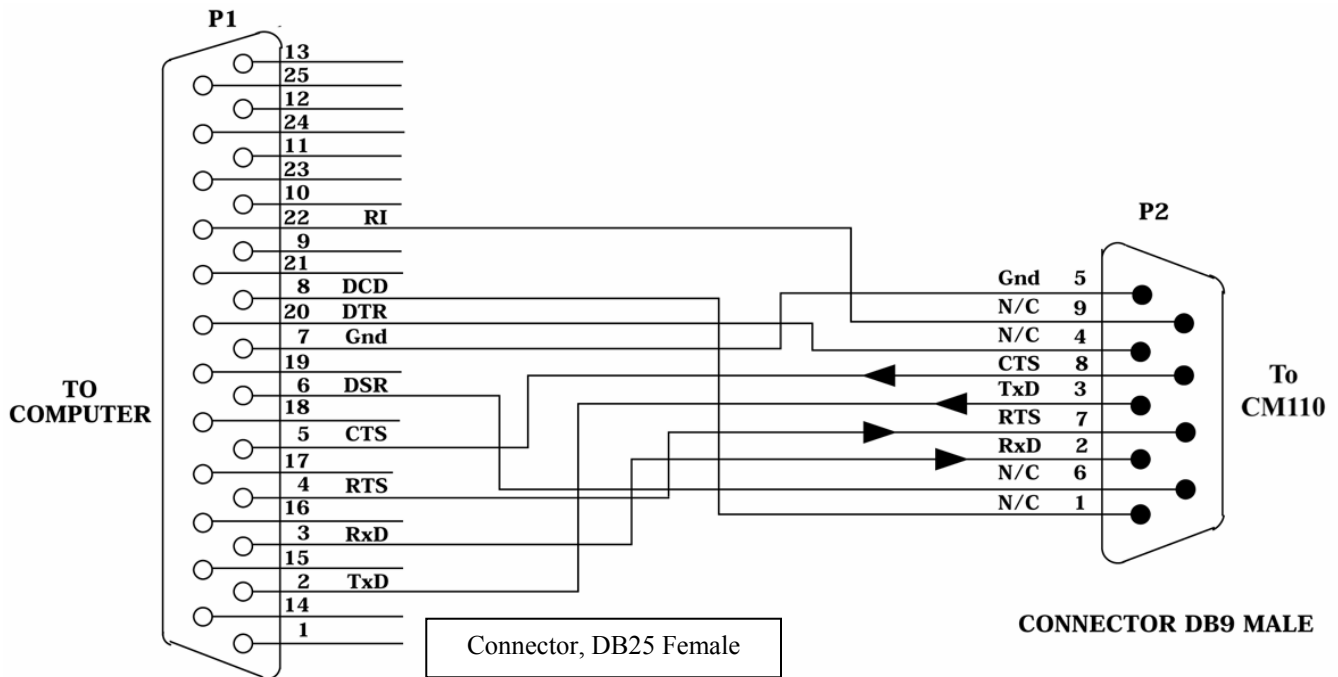


Fig. I-2 CM110 To PC 25-Pin Serial Port



Spectral Products

2659-A Pan American Frwy., NE Albuquerque, NM 87107 Tel (505) 343-9700 Fax (505) 343-9705

www.spectralproducts.com

K Reference Serial Relay Command

SERIAL RELAY OPERATION

All Spectral Products Instruments with an RS232 interfaces now support a serial relay mode. The serial mode allows multiple instruments to be controlled from one serial port.

In the serial relay mode, a daisy-chain cable allows serial messages to be relayed from instrument to instrument. Only one selected instrument will respond to the message.

A computer sends a serial message over its RxD line to instrument #1. If instrument #1 is in the SELECT state, that message is interpreted as a command. If the instrument is in the DESELECT state, the message received on the RxD line is retransmitted on the TxD line. The handshaking signals (CTS, RTS) are similarly relayed. The deselected instrument acts as a repeater.

DESELECT COMMAND

The **DESELECT** command places the instrument in a serial relay mode. In the mode the instrument will echo all inputs. The monochromator will only recognize the **SELECT** command while in this mode;.

To Instrument <255> <254>

From Instrument <255> <254>

Instrument action: Relays all commands (Only recognizes select command).

SELECT COMMAND

The **SELECT** command places the instrument in normal operation. Because the **SELECT** command is serial number specific, a **SELECT** command will enable only a single instrument.

To Instrument <255><253> <HighByte><LowByte>

From Instrument <255><253> <HighByte><LowByte>

From Instrument <24>

Instrument action: Recognizes all commands (Normal operation).

* Where 256 * <HighByte> + <LowByte> = Serial Number of Instrument

Caution:

Only a single instrument should be selected at one time.

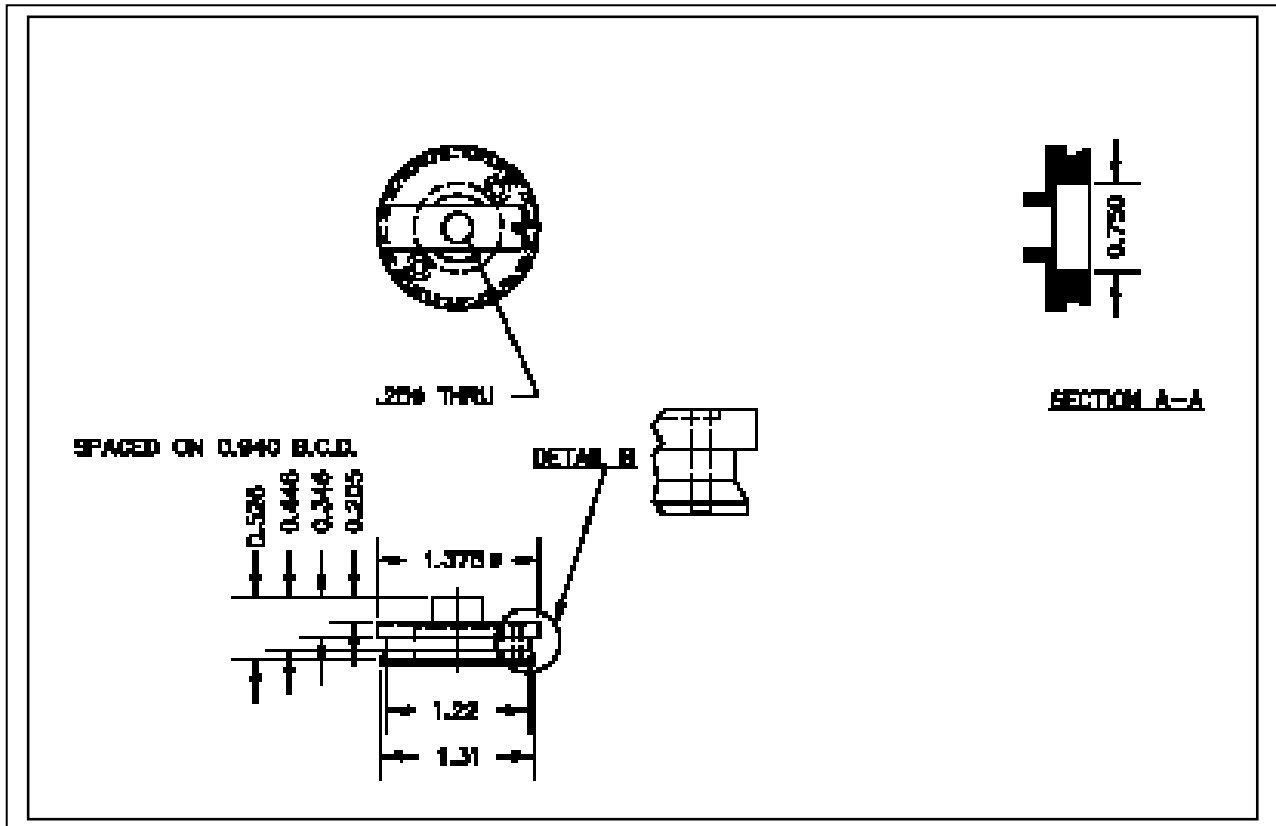
Therefore, a **DESELECT** command should precede each **SELECT** command.

Data Rate:

All instruments must be set for the same baud rate, number of stop bits, and number of parity bits.



L..CM110/112 .Exit and Entrance flange



Spectral Products

2659-A Pan American Frwy., NE Albuquerque, NM 87107 Tel (505) 343-9700 Fax (505) 343-9705

www.spectralproducts.com